

# Hand Rivet Tools

## HP-2®/39000

The HP-2 is the largest selling hand rivet tool in the industry. Known and trusted for durability, quality and performance, the HP-2 is often copied but never equaled. Its square shoulder fulcrum pin of cold-formed heat-treated steel prevents pin rotation that can elongate the engaging holes and cause premature tool failure in imitation tools. Other quality features include: precision die-case, high-strength aluminum alloy body; drop-forged carbon steel upper handle; and thick, cushion-molded vinyl grips for comfort. The HP-2 sets up to  $\frac{3}{16}$ " steel rivets and comes with four mounted nosepieces ( $\frac{3}{32}$ ",  $\frac{1}{8}$ ",  $\frac{5}{32}$ " and  $\frac{3}{16}$ ") and a service wrench. Refer to the Riveter Capacity Chart on page 19 for specific capabilities. Weight: 1.2lbs.



## Klik-Turn™ SP-1/39005

The SP-1 swivel head hand-held rivet tool features a patented positive-ratchet locking feature which will allow the swivel head section of the tool to turn 360° and hold in place in any of the forty-plus positions. The high-strength steel body and cast aluminum head complement this new design in a swivel head riveting tool. The SP-1 also includes built-in threaded nosepiece storage holes and a service wrench. The SP-1 sets up to  $\frac{3}{16}$ " steel rivets. Refer to the Riveter Capacity Chart on page 19 for specific capabilities. Weight: 1.2lbs.



## 200 Kit™/39001

The deluxe hand riveter kit includes the HP-2 and 200 assorted Klik-Fast rivets in popular sizes. The molded plastic case houses and protects the tool, rivets and optional countersink double ended drill bit. Weight: 4 lbs.



## Stainless Steel Kit/39003

This kit is the same as our 39001, but contains 200 assorted Klik-Fast stainless steel rivets. Weight: 4 lbs.



## The Kliker®/39040

The Kliker is a perfect medium-duty tool, setting all  $\frac{1}{8}$ " to  $\frac{5}{32}$ " steel, and  $\frac{3}{16}$ " all aluminum Klik-Fast rivets. The Kliker comes packaged in a heavy-duty vinyl pouch with an assortment of Klik-Fast rivets and washers. Weight: 1 lb.

# Hand Rivet Tools

## Big Daddy®/39031

The Big Daddy is the most versatile and powerful Marson brand hand riveter, taking the hard work out of setting large diameter blind rivets. Its extra-long handles provide excellent leverage and permit working a foot beyond natural reach. Other features include a patented bearing design, self-adjusting two-piece jaws and single-unit body construction with a steel insert to provide stronger threads for the nosepieces included. In addition, the Big Daddy features a double-gear reduction system which easily sets from 1/8" to 1/4" diameter Klik-Fast rivets in all alloys, including 1/4" Klik-Split® and 3/16" and 1/4" Klik-Lok® rivets. And a one-piece collet case eliminates the need to adjust the tool when changing rivet diameters. The Big Daddy comes with 5/32", 3/16" and 1/4" nosepieces which are stored in the body. Weight: 3.75 lbs.

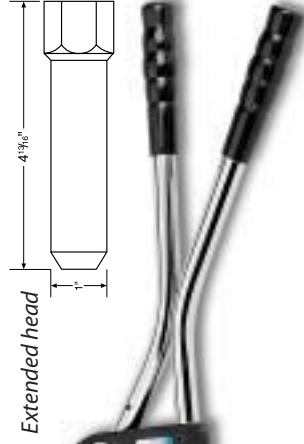


Standard head



## Big Daddy/39010

This is the same tool as 39031, but comes with 3/16", 1/4" and special 1/4" Klik-Split rivet nosepieces. Weight: 3.75 lbs.



Extended head

## Big Daddy/39035

This is the same tool as 39010, but comes with 39009 attached, extending the tool's reach by an additional 2 1/2". Weight: 4 lbs.



## Big Daddy Extended Nosepiece Kit/39009

Just two installed parts extend the reach of 39031 or 39010 by an additional 2 1/2". Weight: .25 lb.

\* When setting Marson brand Klik-Lok rivets, **no special nosepiece** is required.

# Hand Rivet Tools

## Hand Rivet Tool Capacity Chart

| Riveter Model   | Steel |      | All Aluminum |       | Aluminum/Steel |       | Stainless |      | Copper Klik-Lok® Steel Lock* |      | "T" Rivets |       |      |       |      |       |      |
|-----------------|-------|------|--------------|-------|----------------|-------|-----------|------|------------------------------|------|------------|-------|------|-------|------|-------|------|
|                 | 3/32" | 1/8" | 5/32"        | 3/16" | 1/8"           | 5/32" | 3/16"     | 1/4" | 3/32"                        | 1/8" | 5/32"      | 3/16" | 1/4" | 3/16" | 1/4" | 3/16" | 1/4" |
| HP-2/39000      | .     | .    | .            | .     | .              | .     | .         | .    | .                            | .    | .          | .     | .    | .     | .    | .     | .    |
| SP-1/39005      | .     | .    | .            | .     | .              | .     | .         | .    | .                            | .    | .          | .     | .    | .     | .    | .     | .    |
| KR-II/39040     | .     | .    | .            | .     | .              | .     | .         | .    | .                            | .    | .          | .     | .    | .     | .    | .     | .    |
| BIG DADDY/39031 | .     | .    | .            | .     | .              | .     | .         | .    | .                            | .    | .          | .     | .    | .     | .    | .     | .    |

## Hand Rivet Tools — Standard & Special Nosepieces

| Tools | 3/32" |       | 1/8"  |       | 5/32" |       | 3/16" |       | 1/4"  |       | 3/16" |       | 1/4"  |       | 3/16" |       | 1/4"  |       |       |       |   |
|-------|-------|-------|-------|-------|-------|-------|-------|-------|-------|-------|-------|-------|-------|-------|-------|-------|-------|-------|-------|-------|---|
|       | 39131 | 39128 | 39131 | 39128 | 39130 | 39129 | 39160 | 39161 | 39162 | 39163 | 39131 | 39128 | 39130 | 39129 | 96024 | 96025 | 96026 | 96027 | 96029 | 96028 |   |
| 39000 | .     | .     | .     | .     | .     | .     | .     | .     | .     | .     | .     | .     | .     | .     | .     | .     | .     | .     | .     | .     | . |
| 39005 | .     | .     | .     | .     | .     | .     | .     | .     | .     | .     | .     | .     | .     | .     | .     | .     | .     | .     | .     | .     | . |
| 39040 | .     | .     | .     | .     | .     | .     | .     | .     | .     | .     | .     | .     | .     | .     | .     | .     | .     | .     | .     | .     | . |
| 39031 | .     | .     | .     | .     | .     | .     | .     | .     | .     | .     | .     | .     | .     | .     | .     | .     | .     | .     | .     | .     | . |



### 39054/M-3

This heavy-duty air/hydraulic riveter with its newly designed **aluminum forged** head can hold up under demanding continuous use. The steel forged head allows for continuous full operating power and less internal wear. The M-3 will set blind rivets from 1/8" diameter in all alloys, up to 3/16". Included with the M-3 are standard 1/8", 5/32", and 3/16" nosepieces, a service wrench, swivel inlet air coupler and a mandrel collection bottle. The recommended airline pressure is 85-95 PSI. Weight: 4.2lbs.



### 39062/302-E

This durable riveter with its fully adjustable vacuum system holds the rivet in the nosepiece, allowing the operator to rivet at any angle with one hand free. The vacuum system also automatically collects the spent mandrel into a collection bottle. This creates a cleaner and safer work environment by preventing spent mandrels from falling to the floor or work surface. This tool can easily install 3/32" to 3/16" diameter rivets in all alloys, and 1/4" diameter open-end rivets in aluminum/steel combination. A swivel air inlet for increased mobility when working is also included along with a push button trigger and molded frame which provides the operator with maximum comfort using minimal effort. The recommended airline pressure is 85-95 PSI. Weight: 4 lbs.



### 39055/M-3V

The M-3V is capable of setting blind rivets from 3/32" diameter in all alloys up to 3/16". Additionally, it has an internal vacuum system, which allows the mandrel to be held in position while operating the tool at any angle. After setting, the spent mandrel is ejected into the mandrel collection bottle. The recommended airline pressure is 85-95 PSI. Weight: 4.6lbs.



### 39064/304-E

This is our most powerful air/hydraulic riveter, with its fully enclosed vacuum system that holds the rivet in the nosepiece, allowing the operator to rivet at any angle with one hand free. The vacuum system automatically collects the spent mandrel into a bottle, creating a cleaner, safer work environment by preventing spent mandrels from falling to the floor. A traction pulling power of 4200 lbs. allows this tool to easily set Klik-Lok™ and all other structural blind rivets. Its long 7/8" stroke enables the tool to set most rivets in one pull. In addition to the nosepieces for structural rivets, nosepieces to install 3/16" and 1/4" standard rivets are also included along with a push button trigger and molded frame which provides the operator with maximum comfort using minimal effort. The recommended airline pressure is 85-95 PSI. Weight: 5.5 lbs.



### 39058/M-4

This heavy-duty air/hydraulic riveter with its newly designed **aluminum forged** head can hold up under demanding continuous use. The aluminum forged head allows for continuous full operating power and less internal wear. The M-4 can set rivets from 3/32" through 1/4" diameter in all alloys, and it also has the capability of setting 3/16" and 1/4" T-Rivets/Klik-Split®, Klik-Lok™ and all other structural blind rivets (*special optional nosepieces may be required*). The M-4 is supplied with 3/32", 5/32", 3/16" and 1/4" standard nosepieces, service tools, swivel inlet air coupler and a mandrel collection bottle. The recommended airline pressure is 85-95 PSI. Weight: 6.6 lbs.



### Extended head accessory for 302-E and 304-E

| Tool  | Description       | Part Number |
|-------|-------------------|-------------|
| 39062 | 5" Extension Head | 88082       |
| 39062 | 8" Extension Head | 88086       |
| 39064 | 5" Extension Head | 88220-39    |

### 39070/IL-1

This durable in-line riveter with its fully adjustable vacuum system holds the rivet in the nosepiece in any riveting position and automatically ejects the mandrel into an attached container (not supplied). The IL-1 is capable of setting rivet diameters from 3/32" through 3/16" in all alloys and easily hangs from any balancer. This is an ideal tool for assembly line riveting. The recommended airline pressure is 85-95 PSI. Weight: 3lbs.



A balancer is available by special order for any of the above tools.

# Air/Hydraulic Tools

## Air/Hydraulic Rivet Tools — Standard & Special Nosepieces

| Tool  | Standard |        |        | T-Rivets/Klick-Spill® | Structural |          |          |
|-------|----------|--------|--------|-----------------------|------------|----------|----------|
|       | 3/32"    | 1/8"   | 5/32"  |                       |            | 3/16"    | 1/4"     |
| 39054 |          | 95715  | 95716  | 95717                 |            |          |          |
| 39055 | 95761    | 95762  | 95763  | 95760                 |            |          |          |
| 39058 | 95897    | 95898  | 95899  | 95900                 | 95835      | 95903    | 95905    |
| 39062 | 717006   | 717001 | 717002 | 717003                | 717005     |          |          |
| 39064 |          |        |        | 88220-1               | 88220-79   | 88220-83 | 88220-85 |
| 39070 | 717006   | 717001 | 717002 | 717003                |            |          | 88220-84 |

\*For Monobolt® structural rivets, the noted special insert is required. For Marson brand Klick-Lock® structural rivets, no special insert is required.

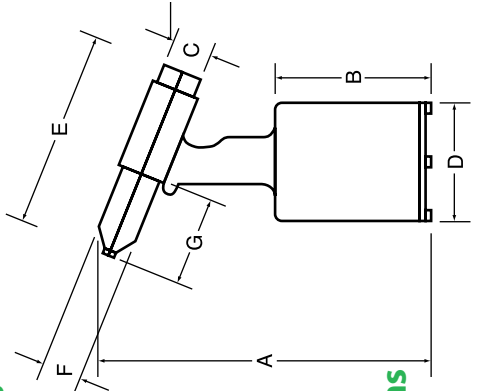
## Air/Hydraulic Rivet Tools — Capacity Chart

| Riveter Model | Steel |      | All Aluminum |       |      |       | Aluminum/Steel |       | Stainless |      | Copper Structural |      | "T" Rivets |       |      |
|---------------|-------|------|--------------|-------|------|-------|----------------|-------|-----------|------|-------------------|------|------------|-------|------|
|               | 3/32" | 1/8" | 5/32"        | 3/16" | 1/4" | 3/32" | 1/8"           | 5/32" | 3/16"     | 1/4" | 3/32"             | 1/8" | 5/32"      | 3/16" | 1/4" |
| 39054         | •     | •    | •            | •     | •    | •     | •              | •     | •         | •    | •                 | •    | •          | •     | •    |
| 39055         | •     | •    | •            | •     | •    | •     | •              | •     | •         | •    | •                 | •    | •          | •     | •    |
| 39058         | •     | •    | •            | •     | •    | •     | •              | •     | •         | •    | •                 | •    | •          | •     | •    |
| 39062         | •     | •    | •            | •     | •    | •     | •              | •     | •         | •    | •                 | •    | •          | •     | •    |
| 39064         | •     | •    | •            | •     | •    | •     | •              | •     | •         | •    | •                 | •    | •          | •     | •    |
| 39070         | •     | •    | •            | •     | •    | •     | •              | •     | •         | •    | •                 | •    | •          | •     | •    |

\*For Monobolt® structural rivets, the noted special insert is required. For Marson brand Klick-Lock® structural rivets, no special insert is required.

## Air/Hydraulic Rivet Tools — Dimensions

| Tool  | A       | B    | C      | D      | E   | F      | G    | WT       |
|-------|---------|------|--------|--------|-----|--------|------|----------|
| 39054 | 12"     | 6"   | 1 1/4" | 3"     | 6"  | 1"     | 3"   | 4.2 lbs. |
| 39055 | 11.5"   | 9.5" | 1.75"  | 3"     | 7"  | .915"  | 4"   | 4.6 lbs. |
| 39058 | 12"     | 4.5" | 1.5"   | 3.5"   | 7"  | .987"  | 4.5" | 6.6 lbs. |
| 39062 | 11.125" | 5"   | 2.375" | 4.5"   | 13" | .828"  | 2.5" | 4 lbs.   |
| 39064 | 13.125" | 6"   | 2.375" | 5.25"  | 13" | .9375" | 2.5" | 5.5 lbs. |
| 39070 | 15"     | 4"   |        | 3.125" | 9"  | .875"  | 2.5" | 3 lbs.   |



## Air/Hydraulic Rivet Tools — Specifications

| Tool  | Work Force                       | Avg. Air Consumption | Stroke         |
|-------|----------------------------------|----------------------|----------------|
| 39054 | 85-95 psi<br>1,983 lbs./8,820 n  | 4 cfm                | .551"<br>14 mm |
| 39055 | 85-95 psi<br>1,940 lbs./8,629 n  | 4 cfm                | .551"<br>14 mm |
| 39058 | 85-95 psi<br>3,099 lbs./13,784 n | 5 cfm                | .748"<br>19 mm |
| 39062 | 85-95 psi<br>2,000 lbs./8,896 n  | 5 cfm                | .812"<br>21 mm |
| 39064 | 85-95 psi<br>4,200 lbs./18,682 n | 5 cfm                | .875"<br>22 mm |
| 39070 | 85-95 psi<br>2,100 lbs./9341 n   | 4 cfm                | .590"<br>15 mm |

