



An Acument™ Global Technologies Company

TX2000® Avdelok®/Maxlok® Collar Cropper

Instructions for Collar Cropper Attachment



Safety Rules

This technical datasheet must be read with particular attention to the safety rules listed in the TX2000® Instruction Manual 07900-00759 and to the following safety rules, by any person fitting or operating the collar cropper and TX2000® tool.

- 1 Do not use collar cropper outside the design intent printed below.
- 2 Do not use equipment or tools with this collar cropper other than that recommended and supplied by Avdel UK Limited.
- 3 The tool and collar cropper must be maintained in a safe working condition at all times. The operator must follow the daily and weekly service checks detailed in the TX2000® Instruction Manual.
- 4 The tool and collar cropper shall at all times be operated in accordance with the relevant health and safety legislation. Any question regarding the correct operation of the tool and operator safety should be directed to your local Avdel UK Limited company or authorized representative.
- 5 Do not operate a tool that is pointed towards any person(s).
- 6 Do not operate the tool if it is not fitted with a complete collar cropper assembly.
- 7 **FINGERS AND ALL BODY PARTS MUST REMAIN CLEAR OF THE COLLAR CROPPER WHEN OPERATING THE TOOL.**
- 8 When using the tool and collar cropper, the wearing of safety glasses is required both by the operator and others in the vicinity to protect against ejection of debris. We recommend wearing gloves if there are sharp edges or corners on the application.
- 9 Take care to avoid entanglement of loose clothes, ties, long hair, cleaning rags etc., in the moving parts of the tool and collar cropper.
- 10 When carrying the tool from place to place keep hands away from the trigger to avoid inadvertent start up.
- 11 Remove the battery when not in use, or when fitting or removing the collar cropper.

Intent of Use

The collar cropper attachment in combination with the TX2000® tool is designed for cutting and removing Avdelok® and Maxlok® collars from fasteners from 4.8mm (3/16") to 6.4mm (1/4"). The correct collar cropper kit must be selected for each fastener size and type as shown in the table on this page.

IMPORTANT

The tool and collar cropper must be used in accordance with the safety rules and fitting instructions contained within this datasheet. The cropping of other fastener sizes or materials not included in the table on this page could have a detrimental impact on the working life of the tool and collar cropper and could invalidate the warranty.

Fitting Instructions

IMPORTANT

The battery must be disconnected when fitting or removing any nose assembly unless specifically instructed otherwise.

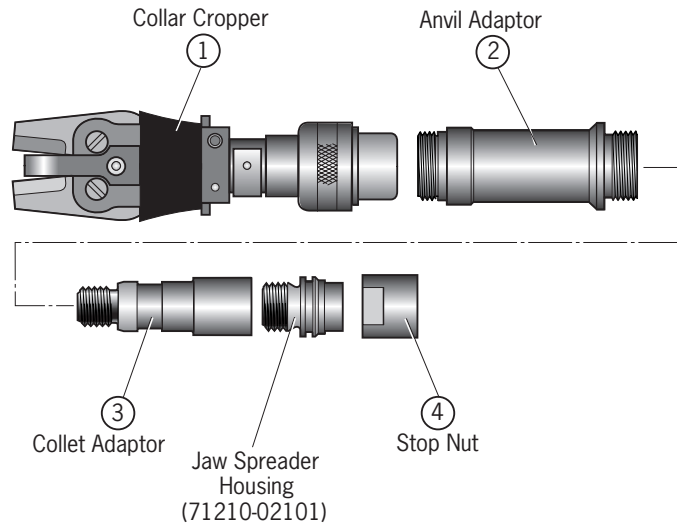
Refer to drawing 71600-02000(s) or TX2000® tool manual 07900-00759. Item numbers in **bold** refer to parts list in table on this page.

To prepare base TX2000® tool to accept Collar Cropper equipment

- 1 Unscrew Jaw Spreader Housing 71210-02101 and remove Locknut 71600-02026.
- 2 Substitute Locknut with Stop Nut **4**. Refit Jaw Spreader Housing 71210-02101. Ensure Jaw Spreader Housing is fully tightened onto the Piston before tightening against the Stop Nut **4**.

Fitting the Collar Cropper Assembly

- 1 Fit Collet Adaptor **3** onto Jaw Spreader Housing.
- 2 Screw Anvil Adaptor **2** over the Collet Adaptor **3** into the front of the tool.
- 3 Attach Cropper Assembly **1*** by screwing the Cam Rod of the Assembly onto the Collet Adaptor **3**.
- 4 Complete attachment by screwing the Nose Retaining Nut of the Collar Cropper **1*** assembly onto the Anvil Adaptor **2**.



© Avdel UK Limited 2007

Collar Cropper Assembly Parts List

ITEM	71600-20100 TX2000® 3/16 COLLAR CROPPER KIT - AVDELOK®/ MAXLOK® 71600-20110 TX2000® 1/4 COLLAR CROPPER KIT - AVDELOK® 71600-20120 TX2000® 1/4 COLLAR CROPPER KIT - MAXLOK® Kits include:	
1*	07500-06800	Collar Cropper 3/16 Avdelok®/ Maxlok®
1*	07500-06900	Collar Cropper 1/4 Avdelok®
1*	07500-05900	Collar Cropper 1/4 Maxlok®
2	07498-05001	Anvil Adaptor
3	07498-05002	Collet Adaptor
4	71600-20101	Stop Nut

* Kit includes the specified Collar Cropper Assembly

Avdel UK Limited

Watchmead Industrial Estate, Welwyn Garden City, Herts, AL7 1LY United Kingdom

Tel: +44 (0) 1707 292000

Facsimile: +44 (0) 1707 292199

www.avdel-global.com

Manual No.	Issue	Change Note No.	Date
07900-00826	AA	02/236	
	AB	07/176	