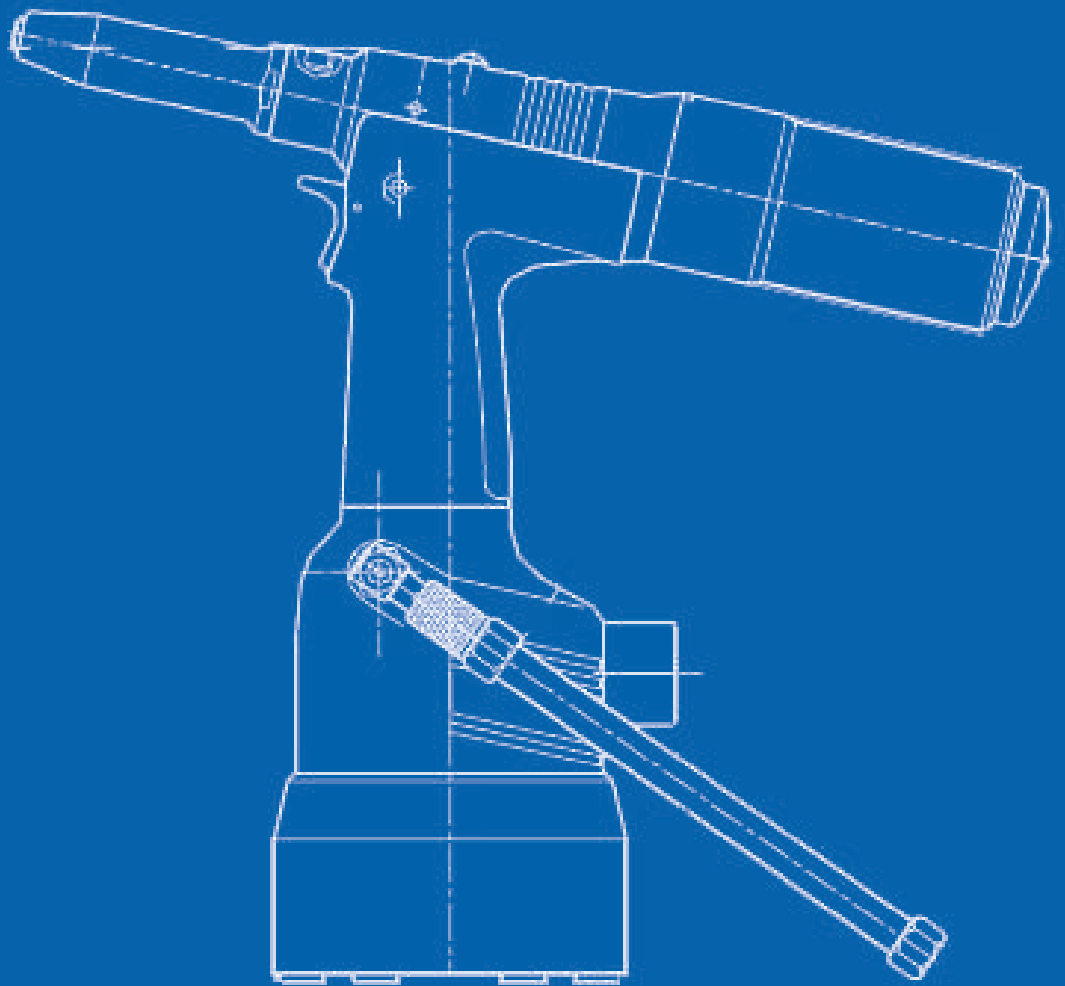


nGenesis[®] power tool range

NEW HIGH PERFORMANCE,
LIGHTWEIGHT HYDRO-PNEUMATIC
HANDTOOL FOR BREAKSTEM RIVETS



An Acument™ Global Technologies Company

nGenesis®

Overview

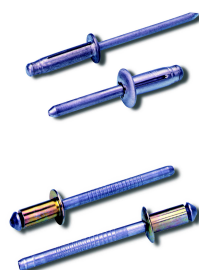
New high performance, lightweight hydro-pneumatic handtool for breakstem rivets.

Features

- Lightweight tool
- Toughened plastic body and heavy duty rubber base
- Quick release stem collector
- Vacuum air supply cut-off on trigger
- Enhanced tool life
- Soft touch rubber grip on handle
- Integral cycle counter (except nG1)
- nG1 and nG2 feature a quick release nose equipment

Benefits

- Reduces operator fatigue
- High placement speed
- Robust tool
- Minimized air consumption
- Reduced time to empty stem collector
- Places a wide range of fasteners
- Ergonomic



An Acument™ Global Technologies Company

www.avdel-global.com

Placing Capability

	nG1	nG2 - nG2S	nG3	nG4
Avex®				
3 - 3.2	X	X	X	
4	X	X	X	
4.8	alu	X	X	X
6.4			X	X
Stavex®				
3.2	X	X	X	
4	X	X	X	
4.8		X	X	X
6.4			X	X
Avinox®				
3.2	X	X	X	
4		X	X	
4.8		X	X	X
Avibulb®				
3.2	X	X	X	
4	X	X	X	
4.8		X	X	X
6			X	X
Bulbex®				
4	X	X	X	
4.8	X	X	X	X
T-Lok®				
4.3	X	X	X	X
4.8		X	X	X
Avdel® SR				
3.2 - 4	X	X	X	
4.8		X	X	X
6.4			X	X
Monobolt®				
4.8		X	X	X
6.4			X	X
Hemlok®				
6.4				X
Interlock®				
4.8		X	X	X
6.4			X	X
TLR®/KTR				
4.8		X	X	X
6.4			X	X
Avdelok® & Maxlok®				
4.8				X
6.4				X
Avtainer®				
10				X
Avseal® II				
4	X	X		
5	X	X		
6		X	X	
6.5		X	X	
7		X	X	X
8			X	X
9			X	X
10				X
11				X
12				X



An Acument™ Global Technologies Company

Notice:

The information provided in this document is correct at the time of print but will be subsequently subject to change at the discretion of Avdel® without prior consultation. Product and data information is provided for guidance only and may not therefore be representative of future product supply or performance.



An Acument™ Global Technologies Company

Avdel®, Avdelok®, Avex®, Avibulb®, Avinox®, Avseal®, Avtainer®, Bulbex®, Genesis®, Hemlok®, Interlock®, Maxlok®, Monobolt®, Stavex®, T-Lok®, TLR® are trademarks of Avdel UK Ltd.

© 2007 Acument Intellectual Properties, LLC

www.avdel-global.com